

Level transmitters Series LTDR



TDR guided radar level transmitter for liquids and solids

- Level measurement independent of changing process conditions (density, conductivity, temperature, pressure,...)
- Innovative signal analysis and disturbance signal suppression
- Almost no installation restrictions
- Different types of probes: single rod, coaxial and rope probe, interchangeable thanks to its modular design
- Suitable for almost every liquid. Exceptional performance in liquids with low dielectric constant (i.e. low reflectivity) such as oils and hydrocarbons
- Suitable for solids, mainly with rope probe version
- Unmatched price / performance ratio
- Measuring range:
 - Single rod probe: 100 ... 3000 mm
 - Coaxial probe: 100 ... 6000 mm
 - Rope probe: 1000 ... 20000 mm
- Connections:
 - Rosca G $\frac{3}{4}$ A or G1A threaded connection
 - EN 1092-1 DN40 flange or bigger
- Materials: EN 1.4404 (AISI 316L), PEEK™
- 4-20 mA output
- 1 x programmable transistor output for level detection
- Optional:
 - ATEX version
 - Extended temperature version
 - Single rod PTFE coated



www.contromat.com

✉ info@contromat.com | ☎ +972-3-9744044



Working principle

LTDR uses TDR (Time Domain Reflectometry) technology.

Low-energy, high-frequency electromagnetic impulses, generated by the sensor's circuitry, are propagated along the probe which is immersed in the liquid to be measured. When these impulses hit the surface of the liquid, part of the impulse energy is reflected back up the probe to the circuitry which then calculates the fluid level from the time difference between the impulses sent and the impulses reflected. The sensor can output the analyzed level as a continuous measurement reading through its analog output, or it can convert the values into freely positionable switching output signals.

LTDR Sensors are also known as Guided Radars or Guided Wave Radars.

Applications

- Level measurement in tanks/storage silos
- Water and waste water treatment
- Food and beverage industry
- Chemical, petrochemical and car industry

Models

- **LTDR single rod probe:**
 - 6 mm, G $\frac{3}{4}$ connection
 - 8 mm, G1 connection
- **LTDR rope probe:**
 - 4 mm, G $\frac{3}{4}$ connection
 - 6 mm, G1 connection

Suitable for a very wide range of applications with both liquids and solids (single rod 8 mm and rope probe are specifically indicated for the level measurement of solids).

The signal has wider detection radius around the rod. Thus, it is more responsive for measuring signal disturbances which can be easily overcome by observing a few mounting considerations and making simple configuration adjustments to the sensor.

These are also recommended for installation in metallic bypass chambers, which basically act together with the rod as a big coaxial probe.

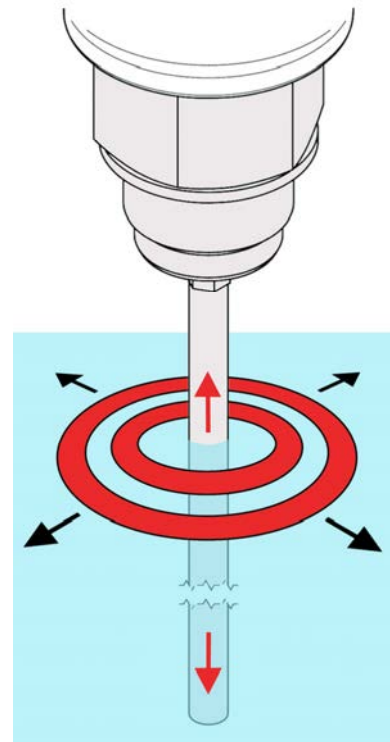
- **LTDR coaxial probe:** G $\frac{3}{4}$ connection

The high frequency measurement signal is completely contained within the outer tube, which provides immunity against any external conditions and interfering objects outside its tube.

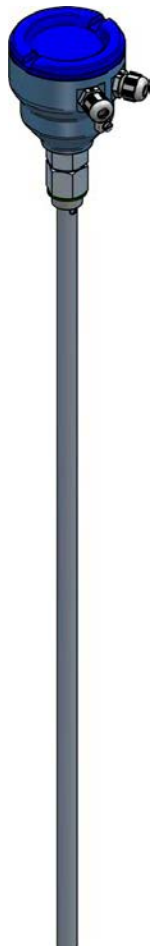
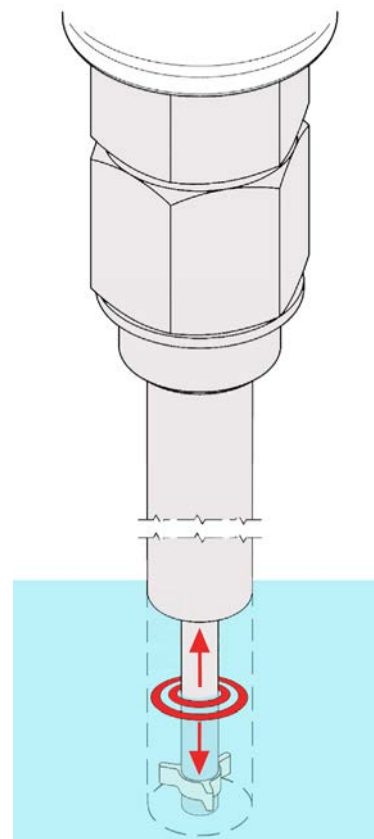
Ideal solution for a hassle-free "drop-in anywhere" installation, ensuring reliable measurement under almost any application condition. Ideal choice for measuring low reflectivity liquids (i.e. low dielectric constant) such as oils and hydrocarbons.

Recommended for the use with clean liquids only. NOT recommended with viscous, crystallizing, adhesive, coating or sticky liquids, fibrous liquids, sludge, slurry, pulp or any liquids containing solid particles. Such liquids might cause build-up, bridging or clogging inside the coaxial probe.

LTDR single rod probe



LTDR coaxial probe



Technical data

- **Accuracy:** ± 3 mm
- **Repeatability:** < 2 mm
- **Resolution:** < 1 mm
- **Probe type:**
 - Single rod $\varnothing 6$ or $\varnothing 8$ mm
 - Coaxial $\varnothing 17.2$ mm (standard tube: NPS $\frac{3}{4}$ " 10S)
 - Rope $\varnothing 4$ or $\varnothing 6$ mm
- **Probe length (L):**
 - Single rod probe: 100 ... 3000 mm
 - Coaxial probe: 100 ... 6000 mm
 - Rope probe: 1000 ... 20000 mm
- **Inactive area:**
 - Top (I1):
 - Single rod probe: $\varnothing_1=80$: 50 mm / $\varnothing_2=2$: 80 mm
 - Coaxial probe: $\varnothing_1=80$: 30 mm / $\varnothing_2=2$: 50 mm
 - Rope probe: $\varnothing_1=80$: 50 mm / $\varnothing_2=2$: 80 mm
 - Bottom (I2):
 - Single rod probe: $\varnothing_1=80$: 10 mm / $\varnothing_2=2$: 50 mm
 - Coaxial probe: $\varnothing_1=80$: 10 mm / $\varnothing_2=2$: 50 mm
 - Rope probe: $\varnothing_1=20$: 10 mm / $\varnothing_2=2$: 50 mm
- **Measuring range (M):** probe length less both inactive areas at top and bottom
- **Switching point (S):** freely positionable within measuring range
- **Dielectric constant (ϵ_r):**
 - Single rod probe: > 1.8
 - Coaxial probe: > 1.4
 - Rope probe: > 1.8
- **Conductivity & density:** no restrictions
- **Dynamic viscosity:**
 - Single rod probe: < 5000 mPa·s = 5000 cP
 - Coaxial probe: < 500 mPa·s = 500 cP
 - Rope probe: < 5000 mPa·s = 5000 cP
- **Fluid temperature:**
 - Single rod / rope probe: $-40^\circ\text{C} \dots +150^\circ\text{C}$
 - Single rod PTFE coated: $-15^\circ\text{C} \dots +100^\circ\text{C}$
 - Coaxial probe EPDM seal: $-40^\circ\text{C} \dots +130^\circ\text{C}$
 - Coaxial probe VITON® seal: $-15^\circ\text{C} \dots +150^\circ\text{C}$
 - Special version: $-200^\circ\text{C} \dots +250^\circ\text{C}$
Available for single rod and coaxial probe up to 1000 mm ($-150^\circ\text{C} \dots +250^\circ\text{C}$ with VITON® seal)
- **Ambient temperature:** $-25^\circ\text{C} \dots +80^\circ\text{C}$
(storage: $-40^\circ\text{C} \dots +85^\circ\text{C}$)
- **Working pressure:** -1 bar ... 40 bar
(single rod PTFE coated 0 ... 4 bar)
- **Material exposed to tank atmosphere:**
 - Single rod probe:
 - EN 1.4404 (AISI 316L), PEEK™
 - PTFE coating (VITON® seal)
 - Coaxial probe: EN 1.4404 (AISI 316L), PEEK™
O-ring seal: EPDM or VITON®
(other o-ring materials on request)
 - Rope probe: EN 1.4404 (AISI 316L), PEEK™
Gasket at connection thread: BELPA® CSA-50, 2 mm thick
- **Housing materials:**
 - Housing body and cover: coated aluminium alloy
(epoxy coated for ATEX version)
 - Cover o-ring seal: NBR or silicone (ATEX version)

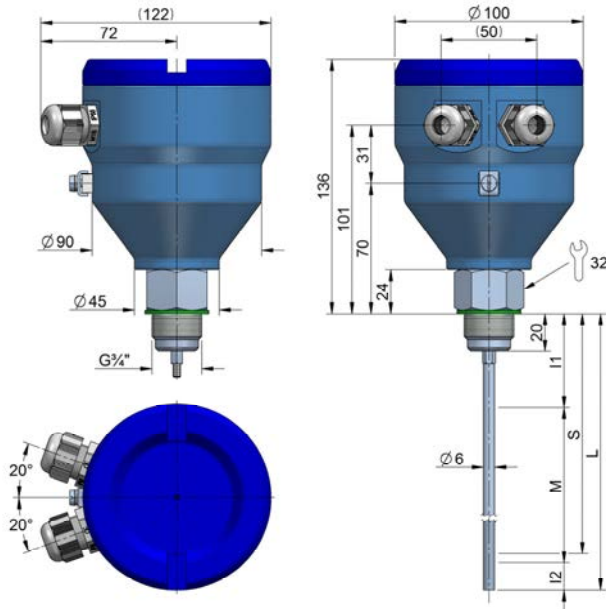
Other materials on request
- **Ingress protection:** IP65 (standard housing) / IP68 10 m H₂O, NEMA6P (ATEX version)
- **Cable entries:**
 - Standard version: 2 cable entries M16x1.5
 - ATEX version: 2 cable entries M20x1.5

Other sizes on request
- **Connection thread (CT),** according to selected probe:
 - G $\frac{3}{4}$ A: single rod 6 mm, rope probe 4 mm and coaxial probe
 - G1A: single rod 8 mm and rope probe 6 mm

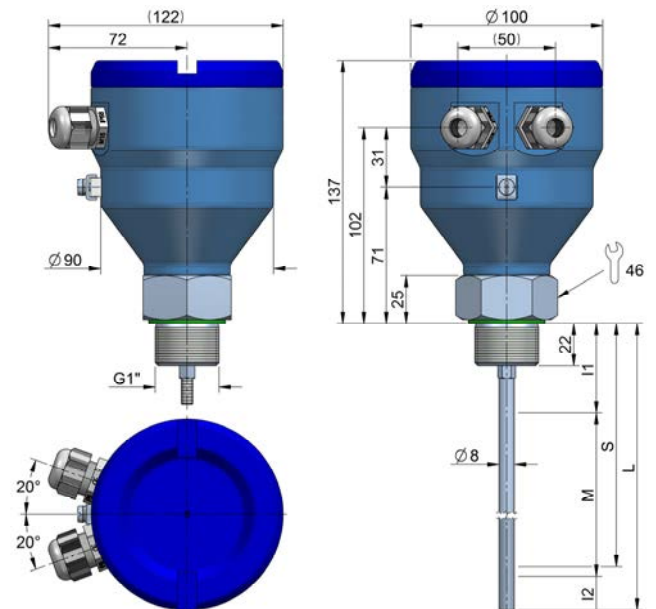
EN 1092-1 flange or other connections on request
- **Power supply:** 12 ... 30VDC (reverse-polarity protected), 4-wire system
- **Power consumption:** < 70 mA at 24VDC (no burden)
- **Electronics completely galvanically insulated** from inputs/outputs and tank potential, thus avoiding any problems from electrochemical corrosion protection of the tank
- **Analog output (active):** current output 4-20mA
 - Total load resistance: $< 500 \Omega$: HART resistor approx. 250 Ω + load resistance approx. 250 Ω .
 - Response time: 0.5 s, 2 s and 5 s (selectable)
 - Temperature drift: < 0.2 mm/K in ambient temperature
- **Switching output DC PNP (active):** NC or NO (shortcircuit protected)
 - Load current: < 200 mA
 - Signal voltage HIGH: supply voltage -2V
 - Signal voltage LOW: 0V ... 1V
 - Response time: < 100 ms
- **Start up time:** < 6 s
- **Cable terminals:**
 - Screwless, cage clamp terminal block for stranded and solid wires 0.5 ... 2 mm²
 - The usage of cable and sleeves with insulation collar is not recommended
- **ATEX certification**

Dimensions

Single rod, threaded connection

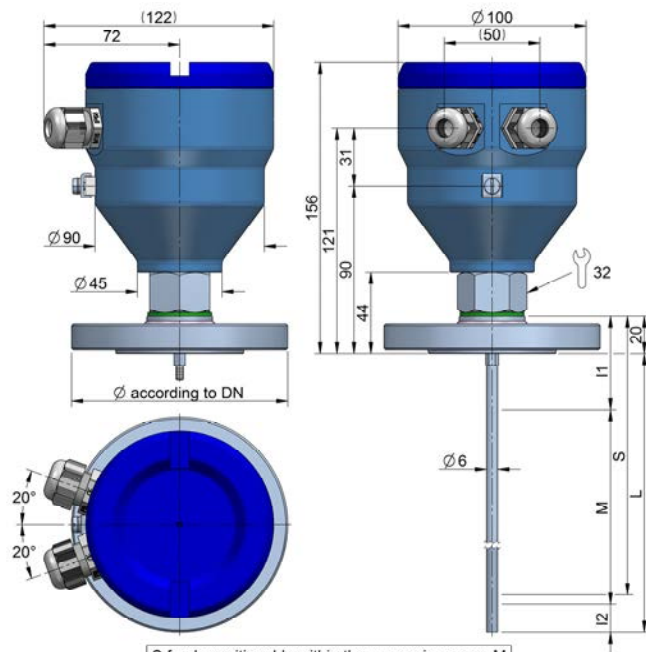


S freely positionable within the measuring range M

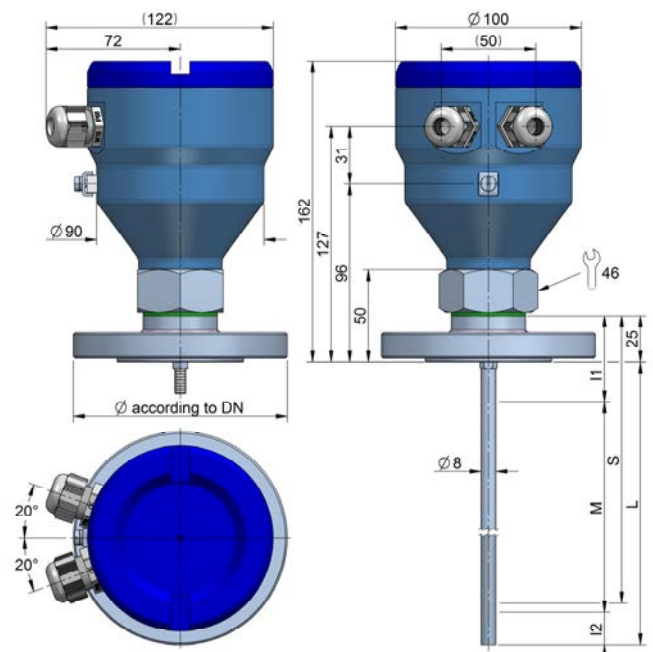


S freely positionable within the measuring range M

Single rod, flanged connection



S freely positionable within the measuring range M

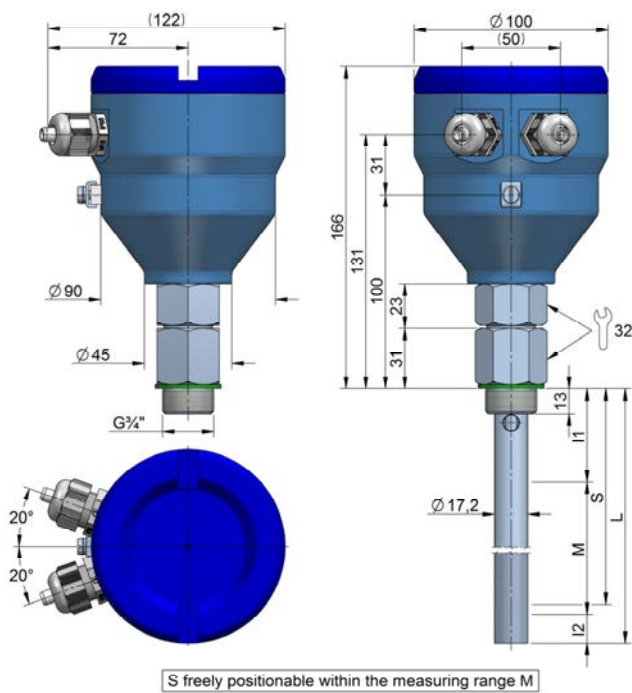


S freely positionable within the measuring range M

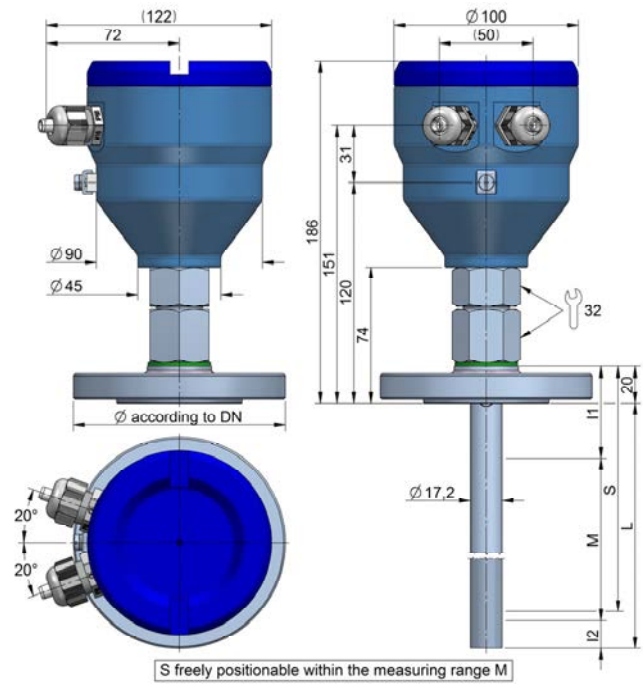
Level transmitters

Series LTDR

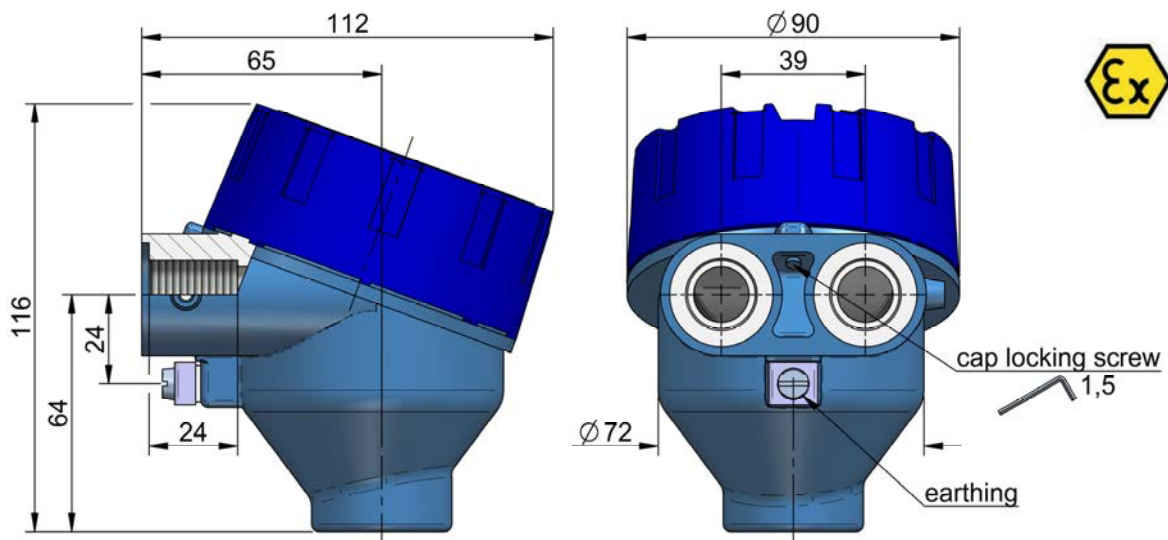
Coaxial probe, threaded connection



Coaxial probe, flanged connection



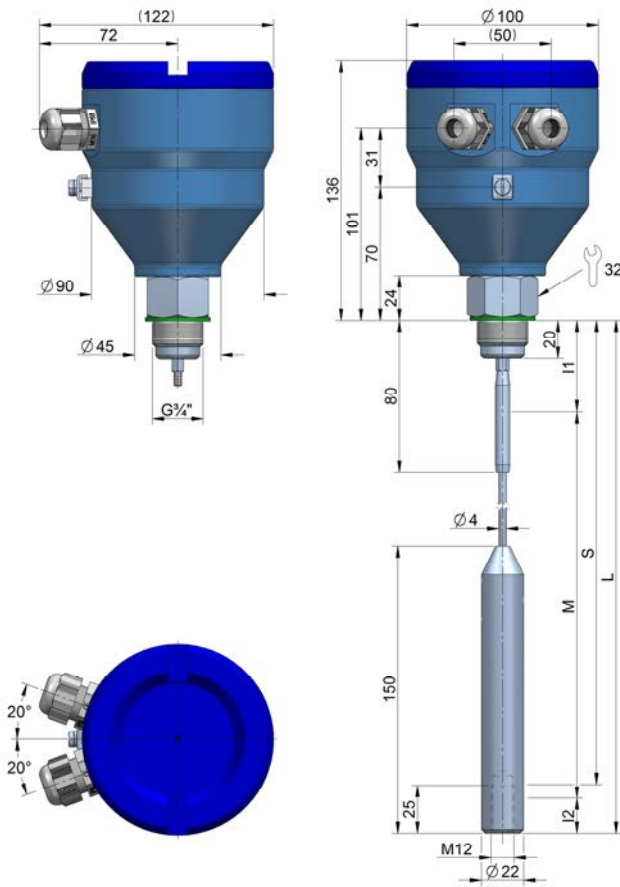
ATEX version



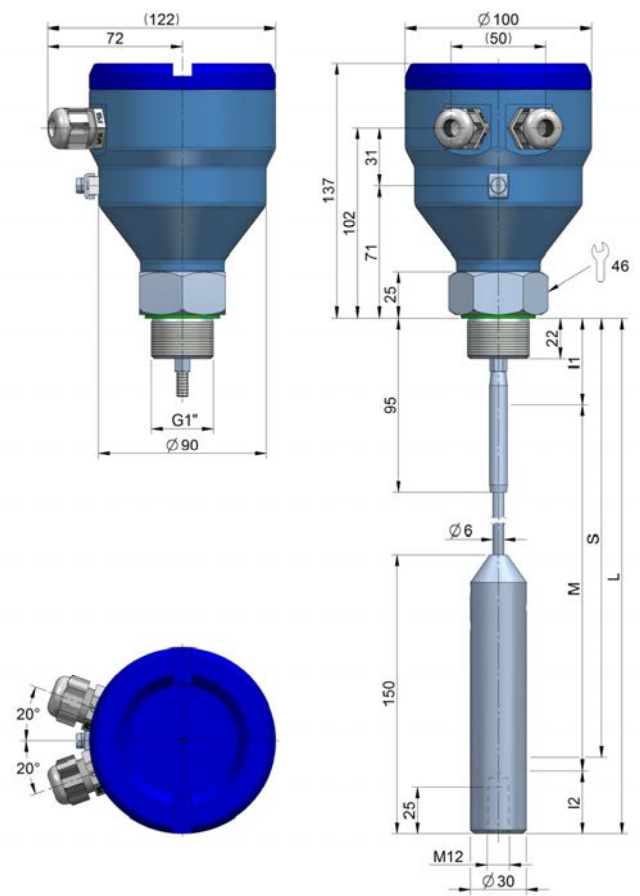
Weight of the components:

- Standard housing: 1240 g
- ATEX housing: 950 g
- Single rod probe, 1m: 230 g
- Complete coaxial probe, 1m: 770 g

Rope probe, threaded connection

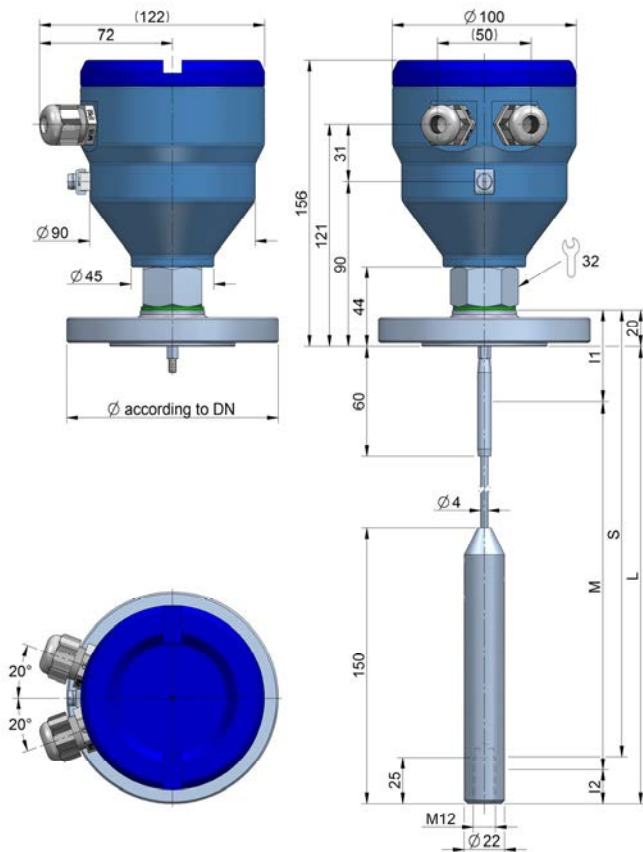


S freely positionable within the measuring range M

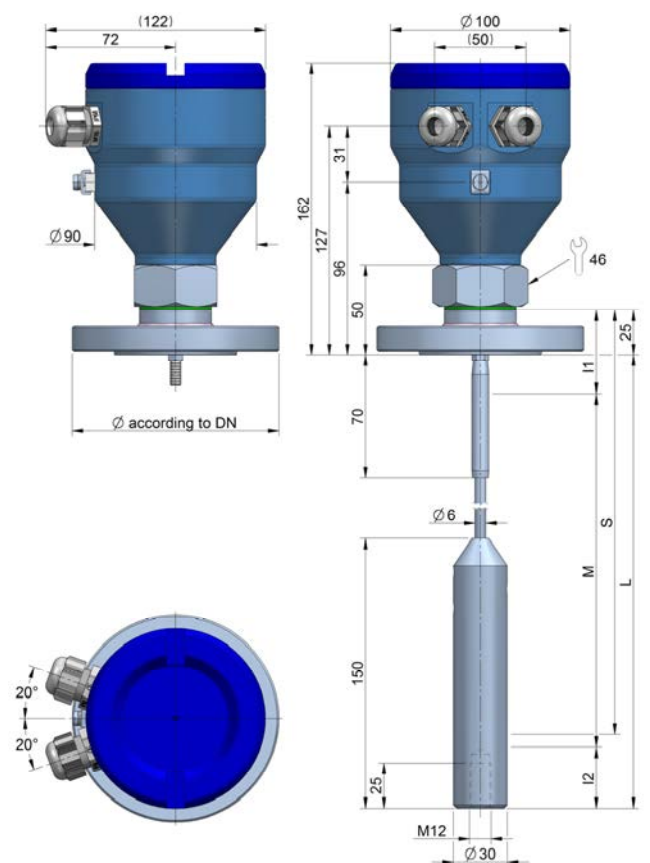


S freely positionable within the measuring range M

Rope probe, flanged connection

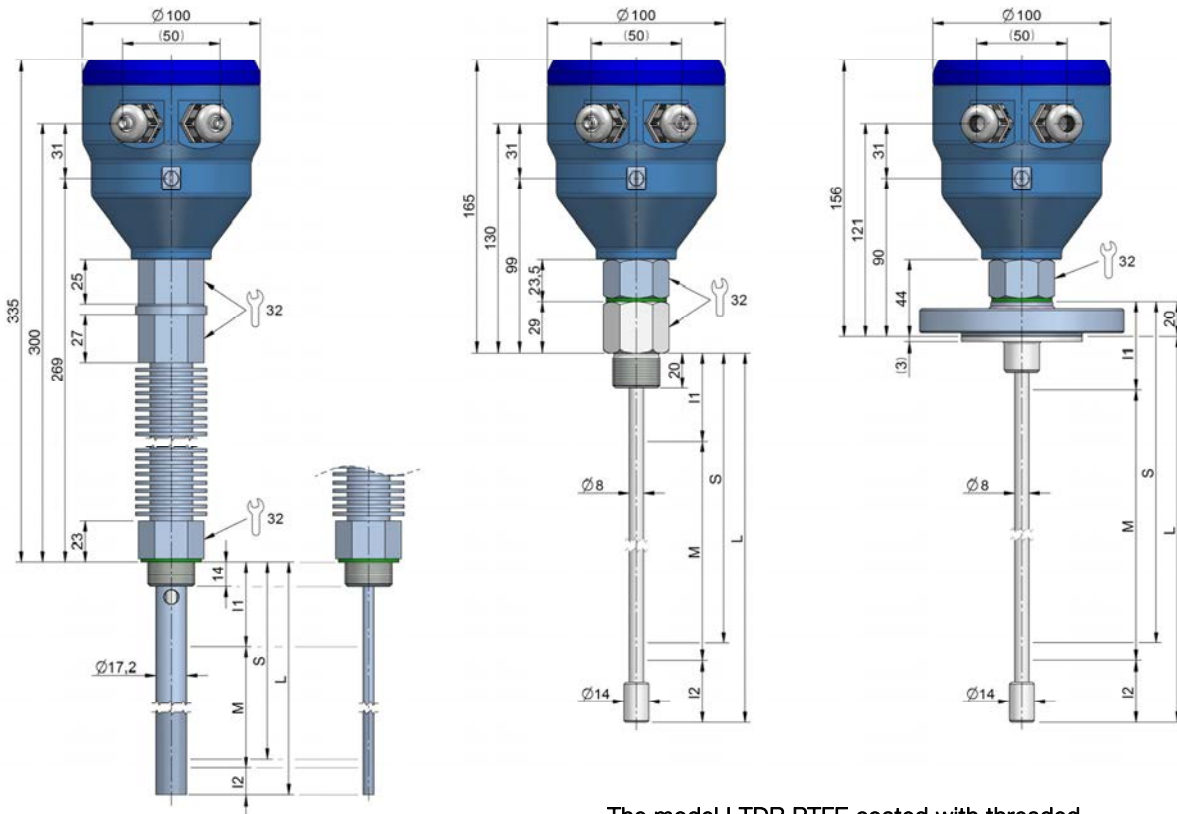


S freely positionable within the measuring range M



S freely positionable within the measuring range M

Extended temperature version, threaded connection, and PTFE coated, threaded and flanged connection



The model LTDR PTFE coated with threaded connection must be mounted using standard plastic connectors. Do not mount in metallic flanges.

Electronic converter

Model MT03L

- Electronic converter for level applications
- Resistance and current inputs
- Programmable via USB cable by means of Tecfluid S.A. Winsmeter MT03 software or by means of keyboard and graphic display with intuitive menus
- Power supply: 90 ... 265 VAC 50 / 60 Hz
18 ... 36 VDC
- Full diagnosis. User selectable password protection
- MODBUS RTU RS485 protocol on request
- Panel mounting with dimensions 96 x 96 mm DIN 43700
- Ingress protection: IP50 front, IP30 back
(Optional IP65 front with silicone cover)
- Ambient temperature: -20°C ... +60°C
- 5 digits level indication
- Programmable 4-20 mA analog output
- 2 x relay outputs programmable as level alarms



ATEX version

The ATEX version of the LTDR is suitable for applications with hazardous gas or dust atmospheres, for applications requiring instruments of category 1/2G, 1/2D or 2G, 2D.

The installation of electrical equipment in hazardous areas must always be carried out by qualified personnel.

The approval certificate is in accordance to:

CE 0158 SEV 09 ATEX 0171 X

and the different markings are:



- II 1/2G Ex ia/d IIC T6
- II 1/2D Ex iaD/tD A20/21 IP68 T86°C
- II 2G Ex ia d IIC T6
- II 2D Ex iaD tD A21 IP68 T86°C
- II 1/2G Ex ia/d IIC T6 Ga/Gb
- II 1/2D Ex ia/t IIC T86°C Da/Db
- II 2G Ex ia d IIC T6 Gb
- II 2D Ex ia t IIC T86°C Db

Configuration

Basic configuration of LTDR can be done directly on the device via a DIP switch, a single push button and visual feedback from a LED.

All settings required to get LTDR fully operational can be performed directly on the device. The LTDR can also be ordered completely pre-configured.

For greater convenience, remote configuration, and extensive diagnostics, a simple spread sheet can be provided through which the configuration can be done.

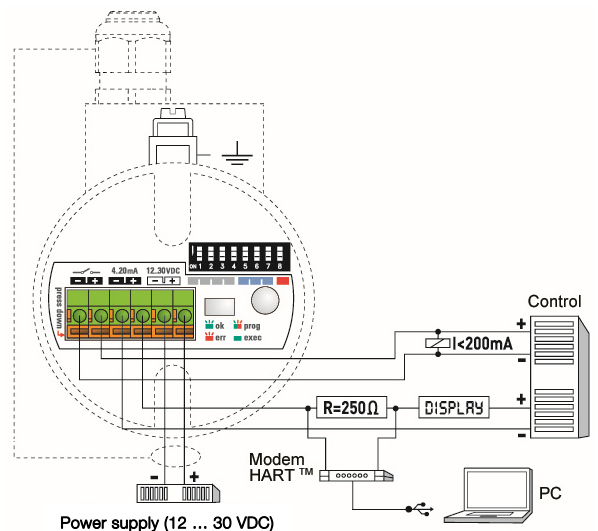
A standard HART modem is required for communication between computer and sensor. Communication is done via a digital HART signal that is superimposed onto the analog 4-20 mA signal of the current output.

Technical data

- Power supply: $U = 12 \dots 30 \text{ VDC}$; $U_m = 250 \text{ VAC}$
- Analog output: $I = 4-20 \text{ mA}$; $U_m = 250 \text{ VAC}$
- Switch output: $U_s = 0 \dots U$; $U_m = 250 \text{ VAC}$

Temperatures

Temperature class	Application temperature	Ambient temperature
CATEGORY 1/2G		
T1 ... T6	-20°C ... +60°C	-40°C ... +70°C
CATEGORY 2G		
T6	-40°C ... +85°C	
T5	-40°C ... +100°C	-40°C ... +70°C
T4	-40°C ... +135°C	
T1 ... T3	-40°C ... +150°C	
CATEGORY 1/2D Y 2D		
Max. temperature: +86°C		-40°C ... +70°C

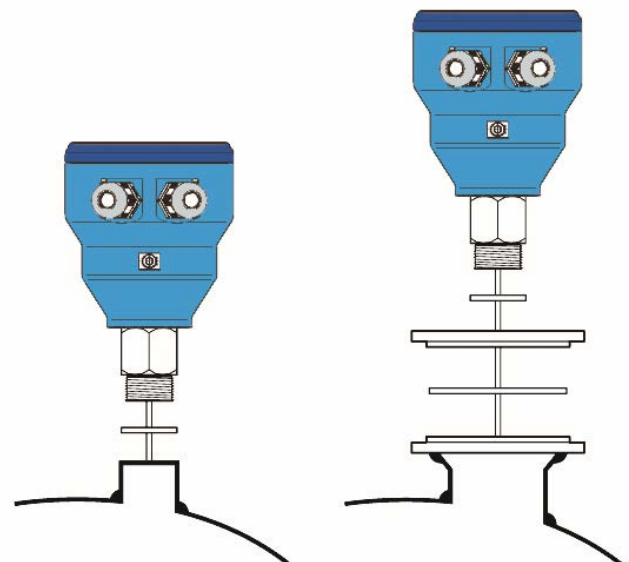


Installation

LTDR is mounted vertically to the tank via its connection thread, which is screwed directly into a standard threaded tank connection, i.e. weld in socket, or it can be screwed into a flange, which is then connected to a tank nozzle.

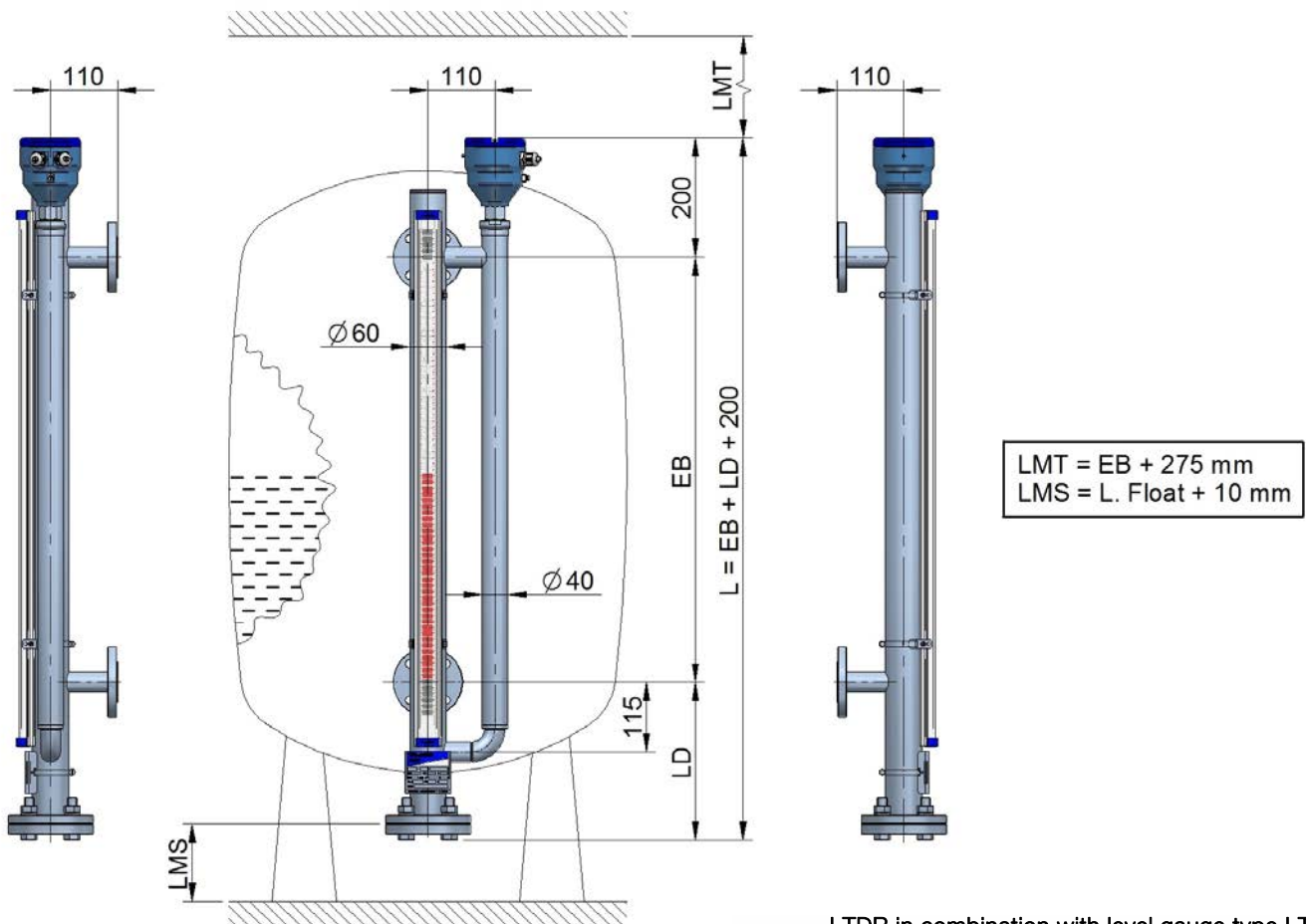
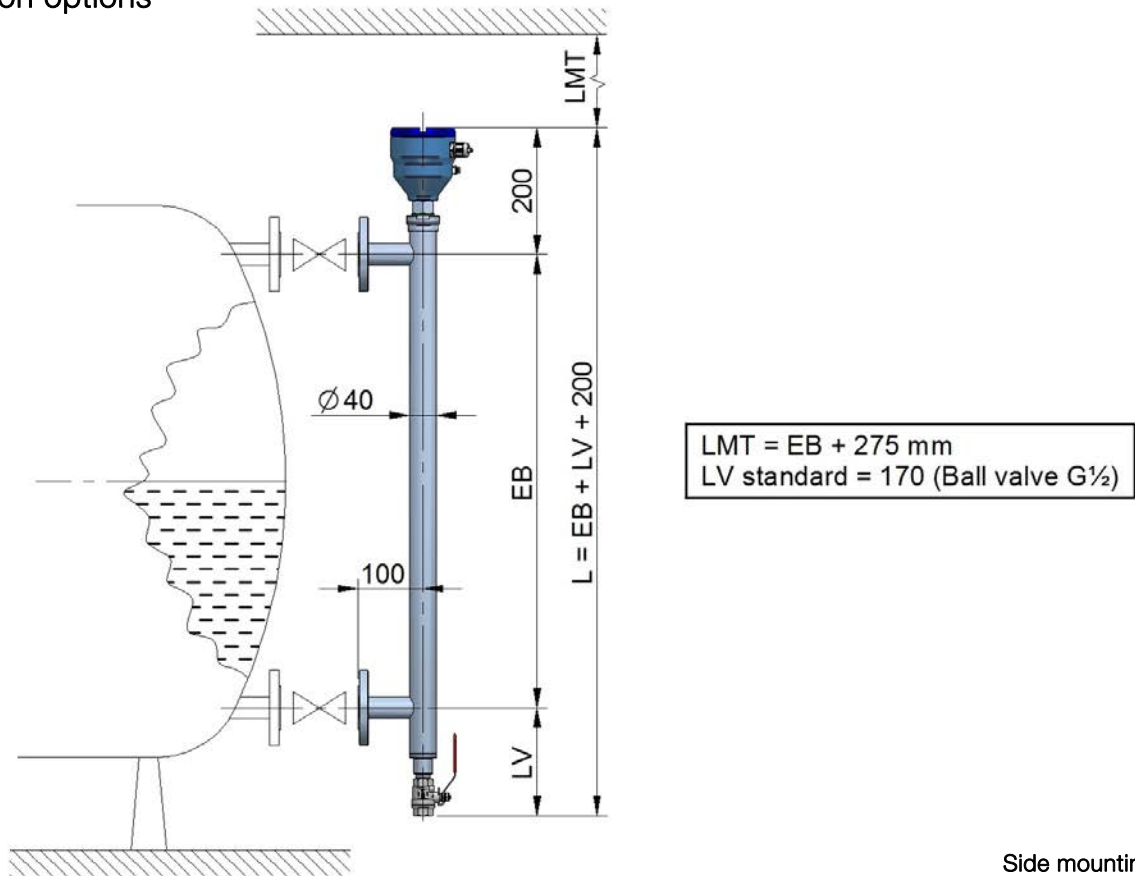
The customer has to ensure proper temperature and pressure ratings for his application and has to select the appropriate seal to connect the sensor (LTDR standard seal material is BELPA® CSA-50 for G $\frac{3}{4}$ A connection thread).

LTDR is well suited for side mounting into a tank. In addition, LTDR is also the ideal combination with TECFLUID series LT level gauges, SS models, in order to have a local indication of the level and an associated transmitter. In these cases the recommended probe type is the single rod probe. The chamber acts as an external tube of a coaxial probe (see figures page 9).



Standard installation LTDR transmitter

Other installation options



For more information, please refer to series LT datasheet

PRESENCE IN MORE THAN 50 COUNTRIES ALL OVER THE WORLD



Tecfluid S.A.
Narcís Monturiol 33
08960 Sant Just Desvern
Barcelona
Tel: +34 93 372 45 11
Fax: +34 93 473 44 49
tecfluid@tecfluid.com
www.tecfluid.com



Quality Management System ISO 9001 certified by 

Pressure Equipment Directive certified by 

ATEX European Directive certified by 

HART is a registered trademark of the FieldComm Group™

The technical data described in this specification sheet is subject to modification without notification if the technical innovations in the manufacturing processes so require.
VITON® is a registered trademark of The Chemours Company — BELPA® is a registered trademark of Montero FYE S.A. — PEEK™ is a registered trademark of Victrex